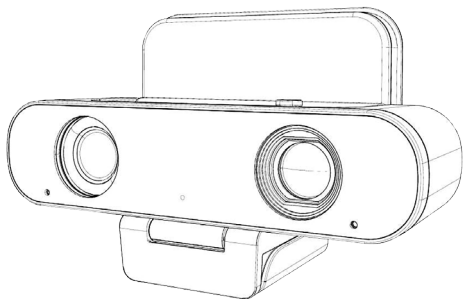


hameco

Mini Video Bar



HV-43 User Manual

ATTENTION

This manual describes in detail the functions, general principles and methods of installation and operation of the camera. Please read carefully before installation and use.

How to Use

To prevent damage to this product or any product connected to it, use this product only within the specified scope:

Do not expose the machine to rain or moisture.

To prevent the danger of electric shock, do not open the case; only qualified technicians can perform installation and maintenance.

Do not use it in a state that exceeds the limited temperature, humidity or power supply specifications. When cleaning the camera lens, please use a dry soft cloth to wipe it. When the dirt is serious, please use a neutral detergent to gently wipe it. Do not use strong or corrosive cleaning agents, so as not to scratch the lens and affect the image quality.

Electrical Safety

The installation and use of this product must strictly comply with various local electrical safety standards.

Careful Transportation

During transportation, storage and installation, it is necessary to prevent damage to the product caused by heavy pressure, severe vibration and soaking.

Careful Installation

The shell of this product is an organic material, and it is strictly forbidden to contact with various liquids, gases or solid substances that may cause corrosion of the shell.

Do not disassemble

The damage caused by the users self disassembly is not covered by the warranty.

Magnetic Interference

Electromagnetic fields at certain frequencies may affect the image of this unit; this product is a Class A product. In a domestic environment may cause radio interference, the user is required to take appropriate measures.

Table of contents

Attentions	2
1.Quick Installation	4
1.1 Interfaces.....	4
1.2 How to Use.....	4
2. Product Overview	5
2.1 Product Introduction.....	5
2.2 Product Features.....	6
2.3 Technical Specification.....	7
3. Maintenance and Troubleshooting	9
3.1 Maintenance.....	9
3.2 Troubleshooting.....	9
4. Compliance statement	10
5. Product disposal	10

1. Quick Installation

1.1 Interfaces

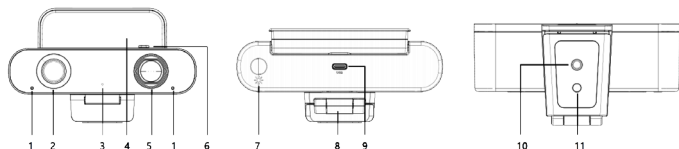


Figure 1.1 Interfaces

- | | | |
|------------------|--|------------------------------|
| 1. Microphone | 5. Lens (Fixed) | 9. USB Interface |
| 2. Speaker | 6. Privacy Cover | 10. Screw Hole for Tripod |
| 3. Indicator | 7. Touchable Button (Used to adjust filling light illuminance) | 11. Locating Hole for Tripod |
| 4. Filling Light | 8. Installation Bracket | |

1.2 How to use

- 1) Installation: Fix the device to the top of the LCD monitor or laptop; direct desktop placement or tripod mount.
- 2) Connect the USB cable, one end is connected to the USB interface of the product, and the other end is connected to the computer, video conference terminal or other USB input device.
- 3) Open the audio and video software, select the corresponding microphone, speaker and camera driver device to complete the product connection.

2. Product Overview

2.1 Product Introduction

Product appearance and dimension are as below

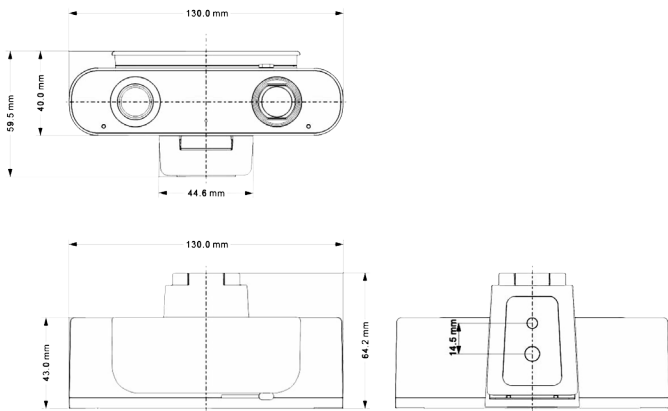


Figure 2.1 Dimension

Packing list

Item	Quantity	Item	Quantity
Camera	1	Quick Start Manual	1
USB Cable	1	Warranty Card	1

Chart 2.1 Packing List

2.2 Product Features

This is a personal desktop mini video bar with all-in-one design. It is built in 1080P HD camera, highfidelity speaker, microphone and foldable filling light, and USB plug-and-play USB.

- **All in one design:** HV-43 integrates camera, microphone, speaker and filling light.
- **Built in s peaker:** Built in high quality speaker, HV-43 allows every participant to hear and be heard clearly.
- **Audio Processing Algorithm:** HV-43 adopts high fidelity 48K audio sampling rate and lossless audio transmission technology in audio processing algorithm, sup porting AEC, AGC, ANS processing, and bringing excellent full duplex communication.
- **Filling Light:** With foldable filling light design, it will automatically light on when it unfold.
- **1080P FHD:** Boasting 2.07 M high quality CMOS image sensor, HV-43 can cap ture 1080P HD image to present true to life image, excellent clarity and resolution.
- **Privacy Cover:** Slidable privacy cover ensure your privacy security
- **Low noise and high SNR :** Low noise CMOS en sure the super high SNR. And the 2D, 3D NR technology further reduce the noise while maintain the image clarity.
- **Plug and play:** USB plug and play, no need to download driver or extra software, convenient and simple to operate.
- **Powerful Compatibility:** Compa tible with Windows7, windows10, Mac OS 10.10 or higher system.
- **Easy Setup:** HV-43 comes with fix clip to install on LCD or PC monitor with ease. It can also be placed on desk or tripod.
- **EPTZ:** 5x digital zoom

2.3 Technical Parameters

Type	Item	Description		
Camera	Lens	Model	TRC-2191A6	
		FOV	92°(D) /85°(H)/ 52°(V)	
		Iris	F2.1	
		Focal Length	3.24mm	
	Sensor	HIGH QUALITY CMOS SENSOR, EFFECTIVE PIXEL 2.07M		
	Image	Digital Zoom	5X	
		Minimum illumination	0.5Lux	
		DNR	2D&3D	
		BLC	Available	
		Exposure	Parameter can be adjusted, auto exposure is avail	
		Video adjustment	Brightness, sharpness, saturation, contrast, white balance, gain, anti-flicker, low brightness compensation and other parameters can be adjusted	
		Video Format	1080@30fps/25fps compatible downward	
		Video Compression Format	MJPEG, YUY2, H.264, H.265, NV12	
		PTZ	EPTZ	
		Mic	Built in mic, optimal voice pickup distance 1.5 M.	
Speaker	Built in 1*3W speaker			
Privacy Cover	Built in privacy cover			

Type	Item	Description
Camera	Filling Light	Built in filling light Foldable design, filling light will automatically on when it unfold
Physical Interface	USB	1*USB, audio and video transmission port, type C
Button	Filling Light Button	Touchable button for adjustment of filling light luminance
Indicator light	Indicator Light	Working statue
Power Supply		USB
Working Condition	Storage Temperature	-10°C ~ +70°C
	Storage Humidity	20% ~ 95%
	Working Temperature	-10°C ~ +50°C
	Working Humidity	20% ~ 80%
	Environment	Indoors
Installation Method	Clip on monitor	Available on different monitors
	Mount on tripod	Available on universal tripods

3. Maintenance and Troubleshooting

3.1 Camera Maintenance

- 1) Please disconnect the camera if it is not used for a long time.
- 2) Use soft cloth or tissue to clean the camera cover.
- 3) Wipe it with a soft, dry cloth when cleaning the camera lens. Wipe it gently with a mild detergent if needed. Do not use strong or corrosive detergents to avoid scratching the lens and affecting the image;

3.2 Troubleshooting

1) No video output

- a. Check whether USB cable connected well and power indicator light is ON.
- b. Whether the machine could do self-check after restarted.
- c. Restart the computer to check whether it is normal
- d. Check whether the video output cable or video display is normal
- f. Check whether the camera is well recognized by PC

2) No image sometimes

- a. Check whether USB cable connected well and power indicator light is ON.
- b. Whether the machine could do self-check after restarted.
- c. Restart PC
- d. Check whether the camera is well recognized by PC

3) Image dithering when zoom-in or zoom-out

- a. Check whether the camera installation position is solid
- b. Whether there is shaking machine or objects around the camera

4) Remote Controller cannot work

- a. Re-match the camera and the wireless remote controller
- b. Set the camera address to 1
(The camera address would be back to 1 after restore default setting)
- c. Check whether the battery is installed on the remote controller or low .
- d. Check the camera working mode is the normal operating mode
(see Table 2.2 and Table 2.3)
- e. Exit the menu, the menu only displayed under MJPG/H.264/H.265 compression format.

4. Compliance statement

This device complies with the related CE standards.

5. Product disposal

Safety

For your own safety, this product should only be used with CE and RoHS approved equipment. Using this headset with non-approved equipment would void the warranty of this product.

Disposal of your product

Municipal waste stream. Old appliances must be collected separately in order to optimise the recovery and recycling of the materials to reduce the impact on human health and the environment. The crossed out "wheeled bin" symbol on the product reminds you of your obligation that when you dispose of the appliance, it must be separately collected. Consumers should contact their local authority or retailer for information concerning the correct disposal of their old appliance.

